

# APPION™

Star Performance

## TEZ 8™

TWO STAGE VACUUM PUMP 8 CFM

### 8cfm Vacuum Pump

For HVAC/R Service Work.

The choice is clear - With the TEZ 8™, Appion brings innovative, advanced technology to the vacuum pump. Designed from the ground up, the TEZ 8™ combines performance and reliability with user friendly features to save you time and money.

### 5-Second Oil Change™

With the introduction of the TEZ 8™, vacuum pump oil management has become simple, thanks to TEZOM™ technology (Totally E Z Oil Management). The replaceable TEZOM™ cartridge is the oil supply and oil sump all in one.

The TEZOM™ cartridge is clear, making it easier than ever to monitor the condition of the oil, and you can change cartridges in about 5 seconds. Dirt and sludge trapped in the TEZOM™ cartridge is removed when the cartridge is changed. This helps you ensure that your vacuum pump is always pulling a rapid, deep vacuum.



### Stays Cool - Lasts Longer

Unlike other, oil-cooled pumps, the TEZ 8™ is air-cooled by a custom high-speed turbine fan blasting cooling air over the entire assembly, eliminating the need for excessive oil capacity. With so much cooling power, the pump runs cooler and lasts longer so that high ambient environments (rooftops, hot mechanical rooms) will not slow this unit down, and the case stays cool to the touch making handling safer and easier.

### Advanced Technology

The TEZ 8™ is nothing short of revolutionary, with powerful features such as advanced anti-suckback technology to prevent oil backup, the clearly-visible Monitor Tube with an easy-to-clean debris filter screen, and remote exhaust removal through a standard fitting for garden-style hoses.



Remote Oil Mist Exhaust  
Standard Garden Hose Fitting

Easy-to-Clean  
Debris Filter Screen

Lightweight, Rugged Case  
Stays Cool To The Touch

Clear Monitor Tube  
for Easy Debris Monitoring

Adjustable Multi-Port Input  
for 1/4", 3/8" and 1/2" Hoses

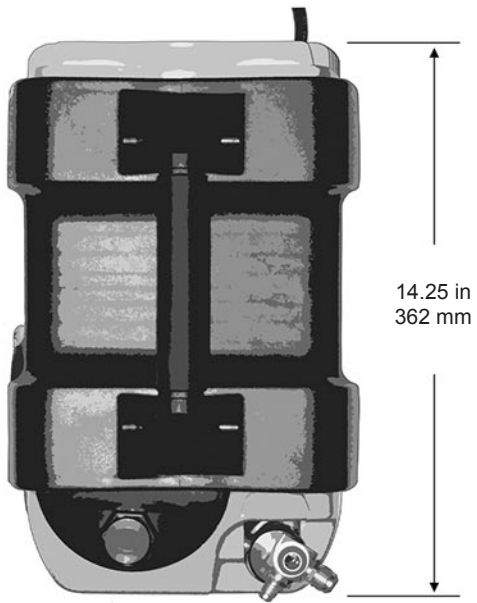
Wide, Low Stance  
Prevents Accidental Tipping

**Rated To  
20 Microns**

**Weights Just  
28 Lbs.**

**5-Second  
Oil Change™**





TEZ 8 Specifications		
Length	14.25 in.	362 mm
Height	10.3 in.	262 mm
Width	9.4 in.	239 mm
Weight	28 Lbs.	12.7 Kgs.
Power	115 VAC, 60 Hz, 10 Amps	
Free Air Displacement	8 cfm	
Ultimate Vacuum	<20 Microns	
Inlet Port Fittings	1/4, 3/8, 1/2 Inch Flare	



**TEZOM**

Replacement TEZOM Cartridges are available in the the following quantities:

- TZM1PK: Individual TEZOM (1 cartridge)
- TZM3PK: TEZOM 3-Pack (3 cartridges/pack)
- TZMCRT: TEZOM Carton (24 cartridges/carton)



**About Appion Inc.:**

Appion is Star Performance. We never stop challenging ourselves to develop smaller, lighter, easier, better and less expensive ways to help HVAC/R technicians perform their everyday tasks.

The products from Appion are made from decades of manufacturing experience and always with the needs of the HVAC/R technician in mind. Appion Inc. is founded by the same founder of Global Energy Engineering, and Promax (NYSE: SPW). The latter, a company many technicians are acquainted with.

Technicians know that we design our products for the best performance and ease of maintenance. Our commitment is to serve our customers well by providing the most innovative, user-friendly tools and equipment the HVAC/R market has to offer.

Good equipment design and manufacturing is just the start. The rest of the equation requires commitment to customer satisfaction from the distributor to the end user that goes beyond expectations.

**Manufacturing Headquarters:**

**Appion Inc.**  
 1930 South Navajo St.  
 Denver, CO 80223 USA  
 Phone: 303-937-1580  
 Fax: 303-937-1599  
[www.AppionInc.com](http://www.AppionInc.com)  
[sales@AppionInc.com](mailto:sales@AppionInc.com)

**Available Locally At:**

